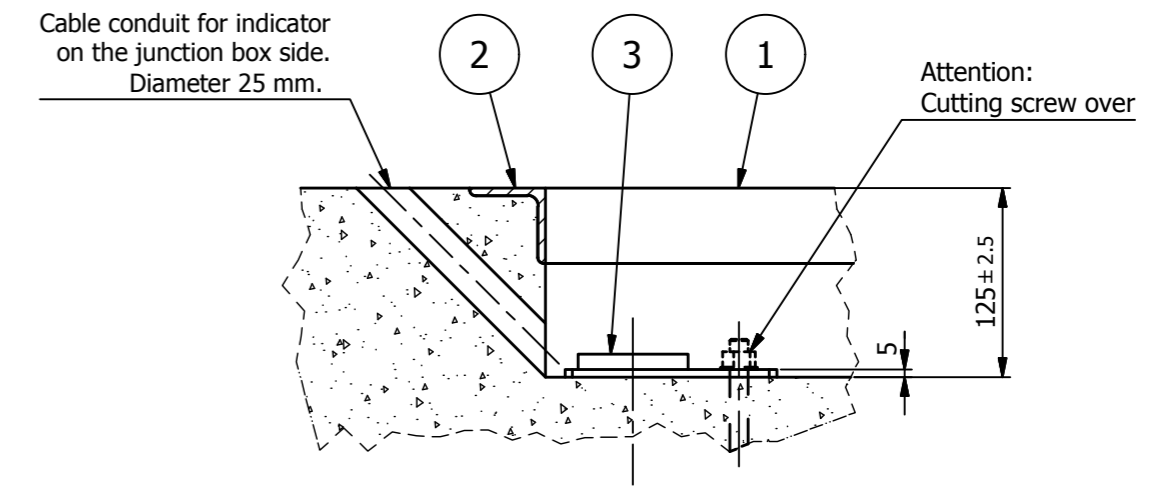
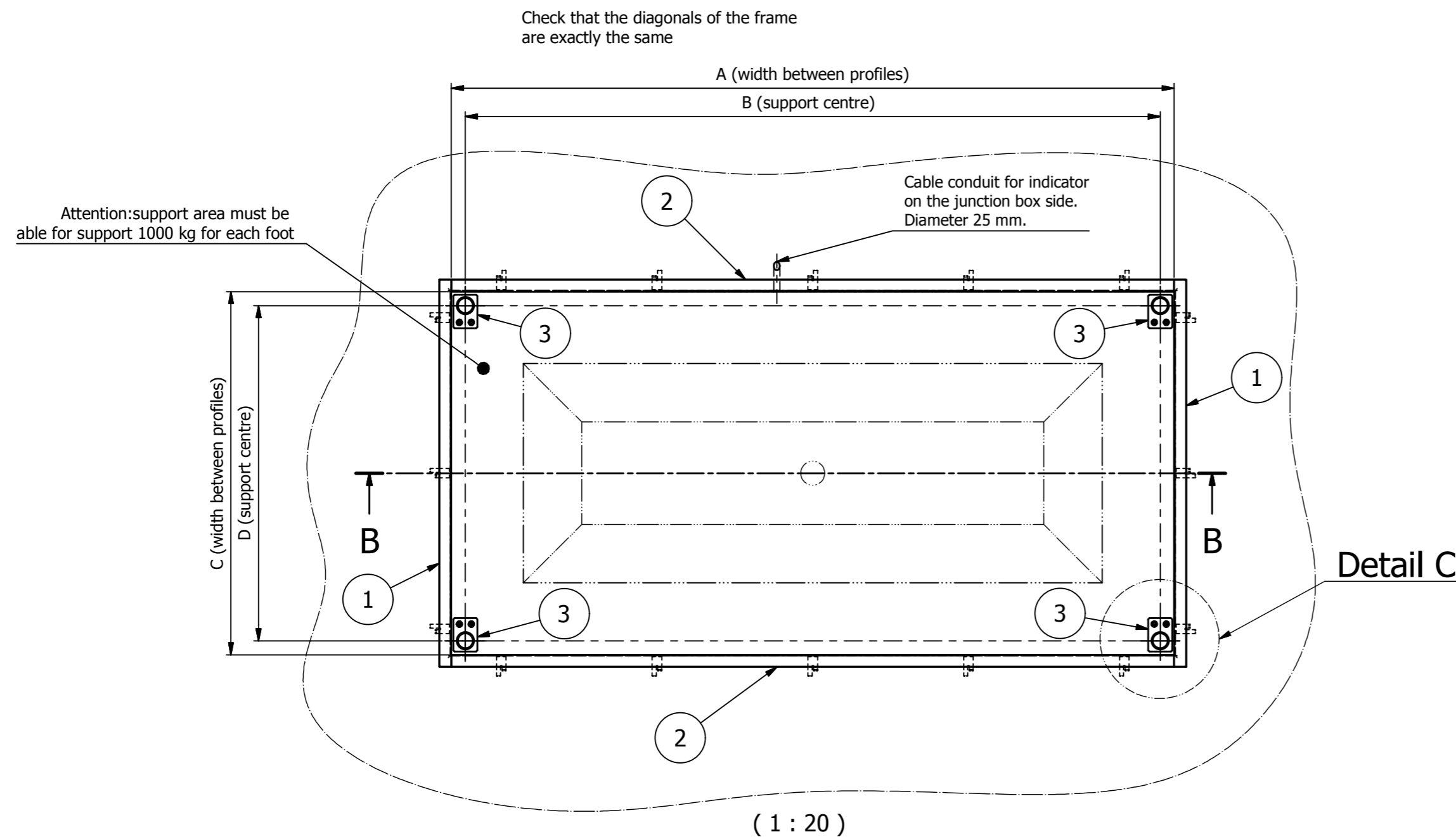


Section B-B  
( 1 : 20 )

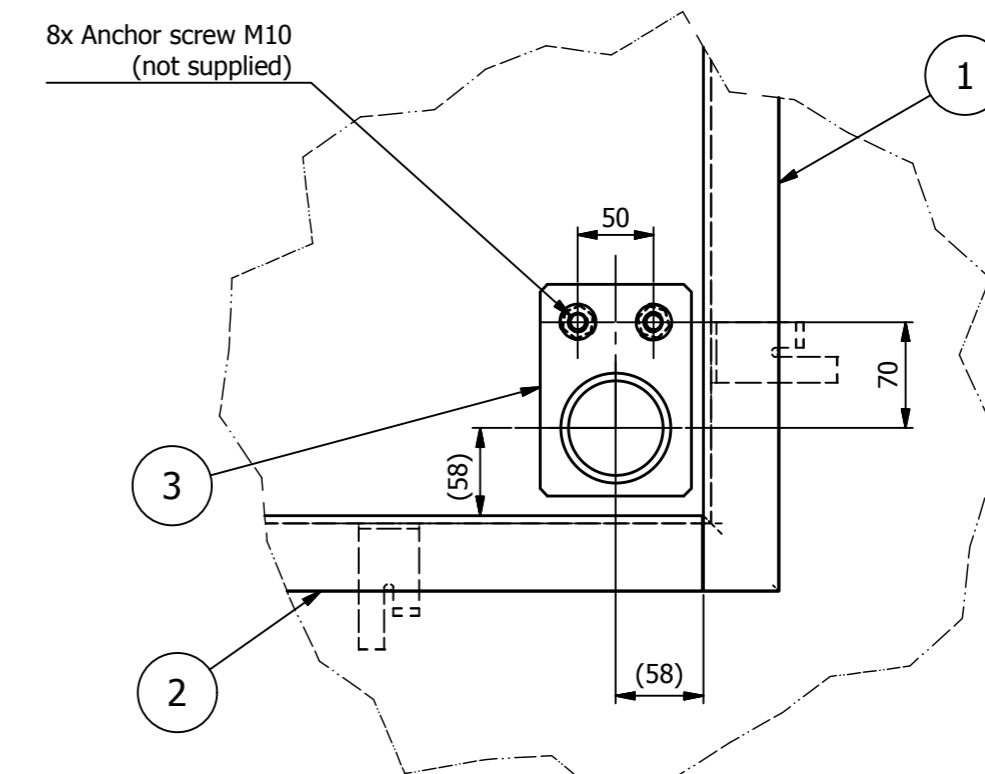


Section A-A  
( 1 : 5 )

DIMENSION TABLE (mm)				
MODEL	A	B	C	D
3000x1500	3016	2900	1516	1400
3000x2000	3016	2900	2016	1900
4000x1500	4016	3900	1516	1400



( 1 : 20 )



Detail C  
( 1 : 5 )

3	Anchor plate	4	Steel	09-10-META-1002
2	Pit Profile Long (profile L 50x50x5 length=3015)	2	Steel	
1	Pit Profile short (profile L 50x50x5 length=1616)	2	Steel	
Elem.	Description	Quant	Material	Reference
0	First edition			10/01/2016
RV	DESCRIPTION			DATE
	MAMUT			
	Pit frame			
Drawing for facility work				
General Scale: 1:10	Sheet: 01/01	Drawing paper: A2	09-20-ASSE-2000-EN	