



Heavy loads lift weighing

- High resistance cranescale
- 30 mm red LED Display
- Cast made of cast aluminium
 - Waterproof keyboard
 - Very resistant anchors
 - Weight in kilos and pounds
 - Auto-disconnection

Rechargeable battery
Supplied with a second rechargeable battery.



Functions:

- Zero adjustment
- Tare of receptacles
- Weights accumulation
 - Piece counting
 - Hold function, last weight memory



Wireless remote control

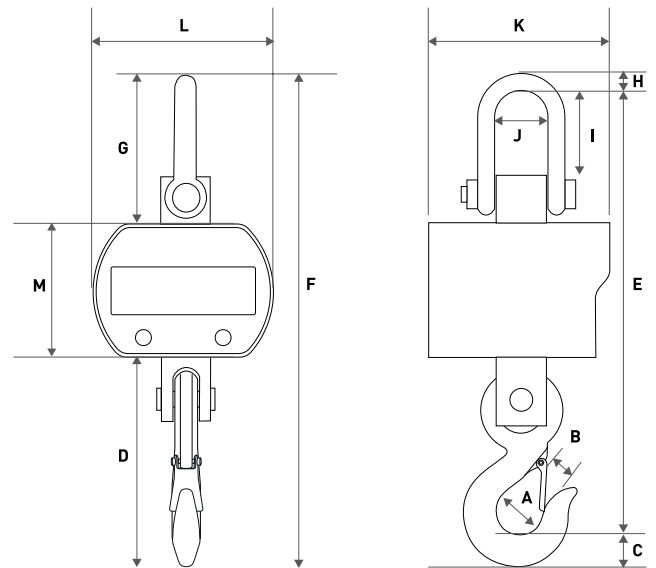
Control the system at distance, for more comfort.



Model	C5-1T	C5-3T	C5-5T	C5-10T
Reference	60915	60206	60207	60208
Capacity	1.000 kg	3.000 kg	5.000 kg	10.000 kg
Readability	200 g	1.000 g	2.000 g	5.000 g
Weight units	kg, pound			
Tare range	100%			
Material structure	Cast iron			
Display	LED			
Digits size (mm)	30			
Power supply	3DC - 6V, Rechargeable battery			
Battery duration	30 hours			
Working temperature	+0°C / +40°C			
Hook angle (mm)	30	30	35	48
External dimension (mm)	185 x 510 x 190	185 x 510 x 190	185 x 550 x 190	185 x 695 x 190
Total net weight (kg)	10,2	10,2	15,8	22,5
Packaging dimensions (mm)	610 x 280 x 370	610 x 280 x 370	610 x 280 x 370	610 x 280 x 370
Total weight with packaging (kg)	12,3	12,4	17,9	24,7

Dimensions (mm)

C5



Ref.	Options
8024	ISOCAL certificate from 31 kg to 300 kg
8025	ISOCAL certificate from 301 kg to 600 kg
8029	ISOCAL certificate from 601 kg to 1500 kg

Model	A	B	C	D	E	F	G	H	I	J	K	L	M
C5-1T (mm)	45	30	40	210	460	510	165	25	70	65	190	185	140
C5-3T (mm)	45	30	40	210	460	510	165	25	70	65	190	185	140
C5-5T (mm)	50	35	50	230	470	550	185	30	80	85	190	185	140
C5-10T (mm)	68	48	59	330	600	695	210	35	100	90	190	185	140